

ACTUATOR

LKS 310

FOR AIR DAMPERS ON MULTI-STAGE AND
MODULATING BURNERS

PRODUCT HANDBOOK



APPLICATION

The LKS 310 air damper actuator is designed to be fitted to multi-stage or modulating oil and gas burners with fully closed position.

CONTENTS

GENERAL

Description	2
Features	2

TECHNICAL DATA

Specification	3
Dimensional drawings	5

INSTALLATION AND OPERATION

Installation and final checkout	5
Circuit diagrams	6

VARIOUS

Standards and approvals	8
Ordering information	8
Accessories	8

GENERAL

DESCRIPTION

A synchronous motor powers an output shaft and a backlash-free cam shaft via a gear reducer.

The cam shaft operates limit and auxiliary switches. The position at which one of the limit or auxiliary switches operates

can be adjusted steplessly within the operating range using the associated cam disc. Manually adjustable lever-operated cams or spindle-driven cams, which can be adjusted with a screwdriver, are available.

FEATURES

Electric actuator up to 15 Nm

- Drive times: 3.5 ... 30 sec.
- Variants: - clockwise or counter clockwise rotation
- with integrated electronic circuitry
- shaft version
- Gearing can be decoupled
- Position indicator
- Easily adjustable limit and auxiliary switches
- Synchronous motor
- Particular stable design in aluminium housing

TECHNICAL DATA

SPECIFICATION

Type overview

Clockwise rotation ¹⁾

Diagram 2)	Shaft 3)	Drive time 4)	Load torque 5)	Holding torque	Voltage 6)	Type	Remarks 7)
Nr.	Nr.	s	Nm	Nm	V		
S7	5	30	15	10	230	LKS 310-09 A 5-30 S7	
S7.1	5	15	15	10	230	LKS 310-13 A 5-15 S7.1	
S1	5	30	15	10	230	LKS 310-15 A 5-30 S1	
S1.1	5	15	15	10	230	LKS 310-19 A 5-15 S1.1	Spindle-driven cam
S12	5	30	15	10	230	LKS 310-21 A 5-30 S12	Spindle-driven cam
S7.1	5	10	10	10	230	LKS 310-24 A 5-10 S7.1	
S7.1	5	15	15	10	230	LKS 310-25 A 5-10 S7.1	
S6	6	15	15	10	230	LKS 310-29 A 6-15 S6	
S12	5	7	7	7	230	LKS 310-33 A 5-7 S12	Spindle-driven cam

Counter-clockwise rotation ¹⁾

Diagram 2)	Shaft 3)	Drive time 4)	Load torque 5)	Holding torque	Voltage moment 6)	Type	Remarks 7)
Nr.	Nr.	s	Nm	Nm	V		
S11	5	7	7	7	230	LKS 310-16 B 5-7 S11	
S7.1	5	7	7	7	230	LKS 310-17 B 5-7 S7.1	
S1.1	5	15	15	10	230	LKS 310-20 B 5-15 S1.1	Spindle-driven cam
S7.1	5	10	10	10	230	LKS 310-23 B 5-10 S7.1	
S1.2	5	13	13	10	110	LKS 310-30 B 5-13 S1.2	Spindle-driven cam (60 Hz)
S7.1	5	15	15	10	230	LKS 310-31 B 5-15 S7.1	
S7.1	5	10	10	10	230	LKS 310-32 B 5-10 S7.1	

Legend

- 1) when viewing from direction A (see dimensional drawing)
 2) see "Circuit diagrams"
 3) see "Dimensional drawing"
 4) at 50 Hz for 90°
 at 60 Hz, Drive times are about 20 % shorter

- 5) under nominal conditions
 under extreme conditions (e.g. +60 °C, 230V -15%) the torques will be 25% lower
 6) +10% -15%; 50...60Hz
 at -15%; torque reduced by approx. 20% at undervoltage
 7) Standard: Lever-operated cam

Technical data

Housing

- robust aluminium housing with plastic cover

Drive motor

- reversible synchronous motor

Clutch

- red lever, separates gearing from motor

Switch point setting

- stepless cam setting, lever-operated or spindle-driven cams; if spindle-driven, with superimposed scale

Position indicator

- if desired the cover can contain a window and pointer, internally via a co-running pointer and scale

Connection system

- terminal blocks

Gearing

- spur gearing, maintenance-free

Drive shaft

- steel

Fitting and fastening

- front of gear acts as contact area. Fixing from outside via M5 or M6 screws, thread in housing

PCBs

- for all electrical functions, increased conductor thickness

Mains voltage

- 230 V -15% +10%

Mains frequency

- 50 Hz or 60 Hz

Safety class

- I VDE 0631

Power consumption

- 7...15 VA

Duty cycle

- Depending on motor, 50 to 70 % in 2 minutes

Interference suppression

- N (according to VDE 0785)

Actuating angle

- 90°, in exceptional cases also larger

Mounting position

- any

Protection

- IP54, with appropriate design of the cable entries, cover without window (DIN 40050)

Cable entries

- 2 x PG11

Cable connection

- terminal block for 0.5 mm² (min.) and 2.5 mm² (max.)

wire cross-section

Direction of rotation

- see "Type overview"

Torque and holding torque

- see "Type overview"

Drive times

- 3.5 ... 30 sec for 90°

Limit and auxiliary switches

- max. 7
operation with adjustable cam discs, cams coloured in normal way:
 - blue fully closed position
 - orange low load
 - red high load
 - black spare switches for additional functions
- switching voltage
AC 24...230 V
- switching capacity
with inductive loads 250 VA

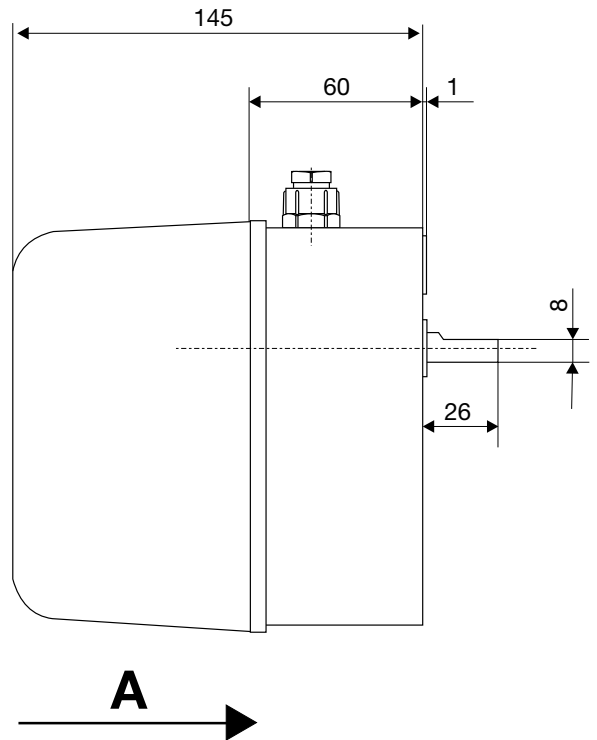
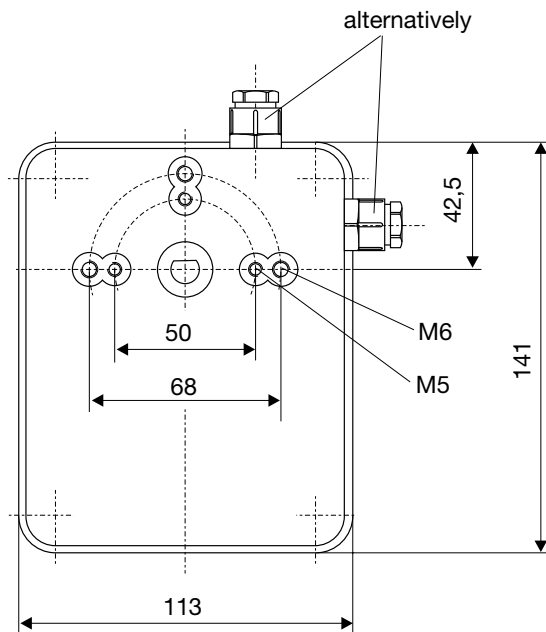
Ambient temperature

- operation 0 ... +60° C
- transport and storage -20 ... +60° C

Condensation, icing and exposure to water not permitted**Weight**

- approx. 1.8 kg

DIMENSIONAL DRAWING

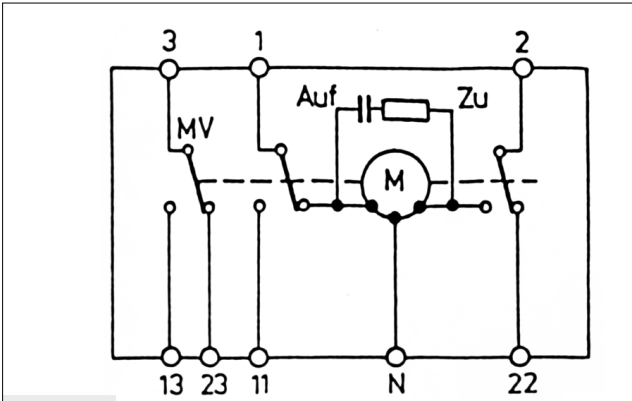


INSTALLATION AND OPERATION

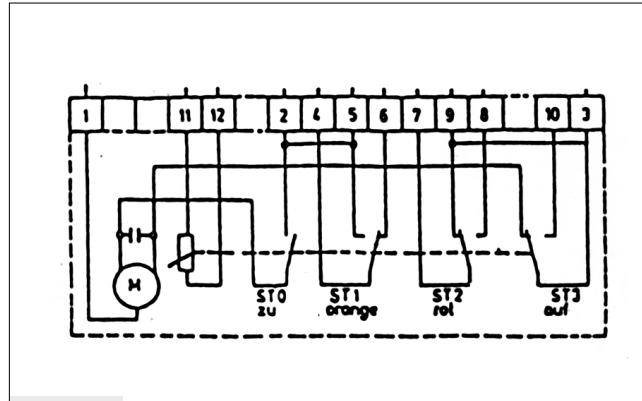
INSTALLATION AND FINAL CHECKOUT

- The regulations and standards applicable in each particular case must be observed.
- Installation and commissioning must only be carried out by qualified technicians.
- Electrical wiring must comply with national and local regulations.
- Always lay the burner ignition cable separately and as remotely as possible from the device and other cables.
- Carefully check all cabling and wiring prior to commissioning.
- Disconnect the actuators completely from the power supply when working close to terminals and connections.
- Screw the housing cover securely in place to provide shock-hazard protection on the actuator and all electrical connections.
- Electromagnetic emissions must be checked on a case by case basis.

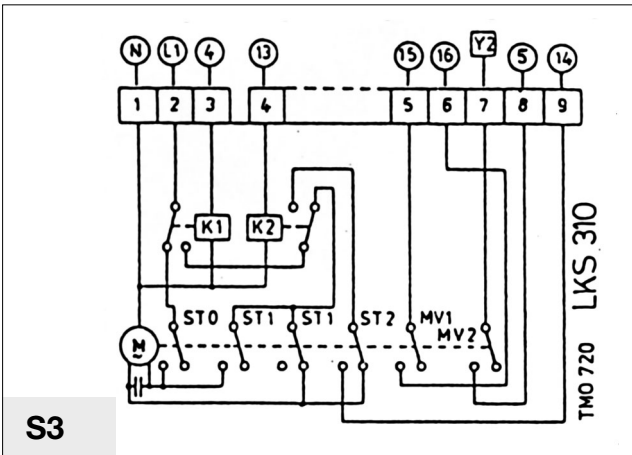
CIRCUIT DIAGRAMS



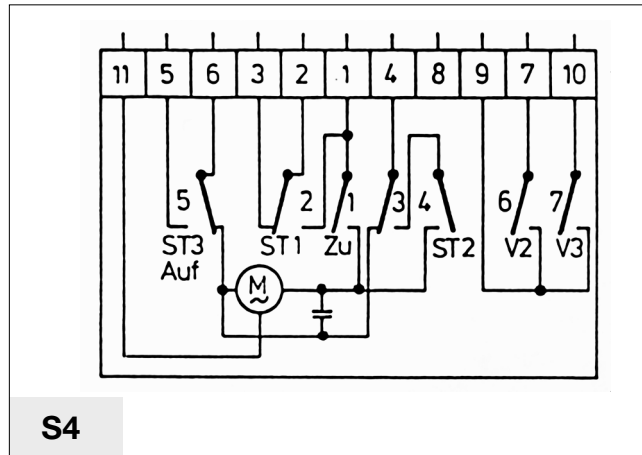
S1



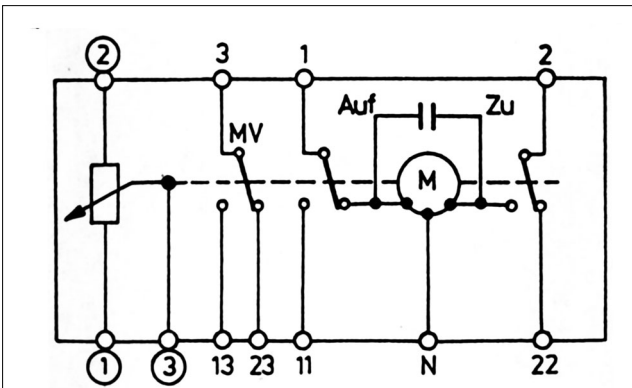
S2



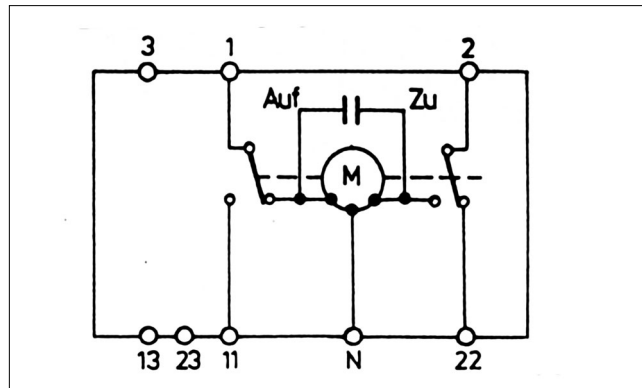
S3



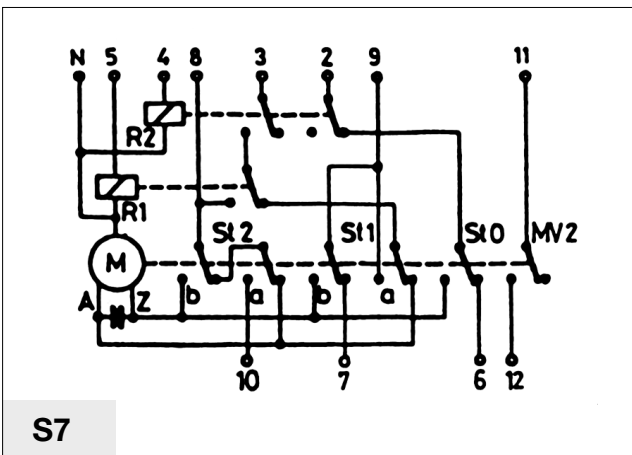
S4



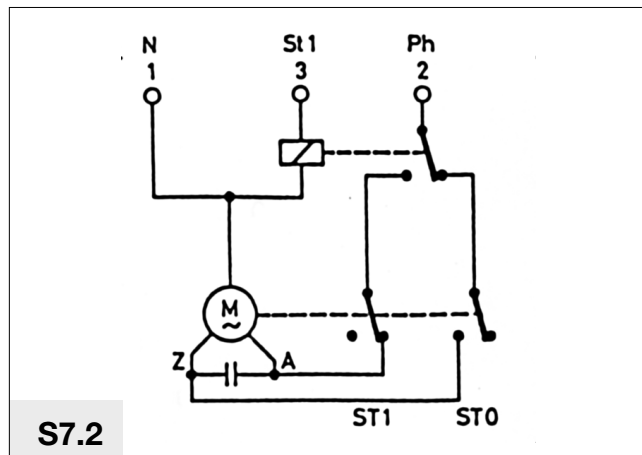
S5



S6

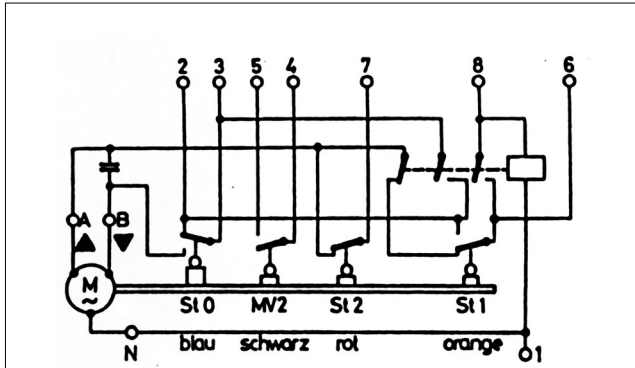


S7

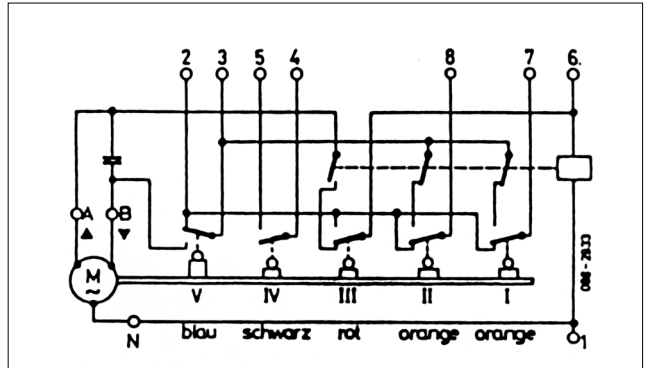


S7.2

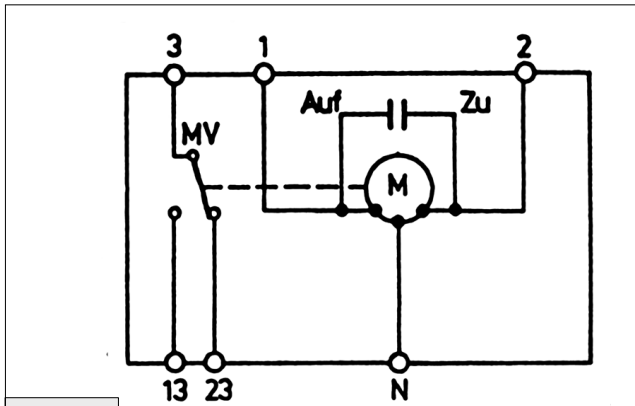
CIRCUIT DIAGRAMS



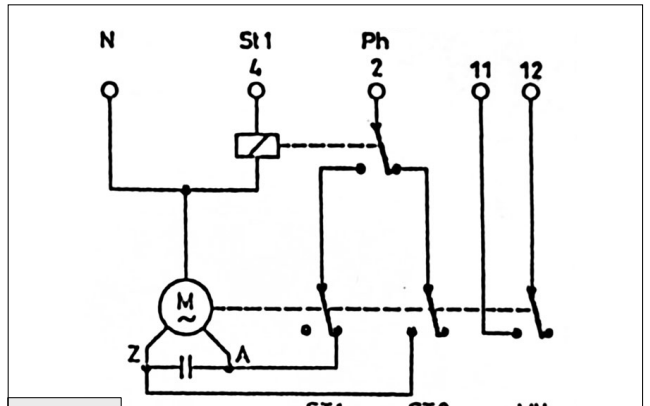
S8



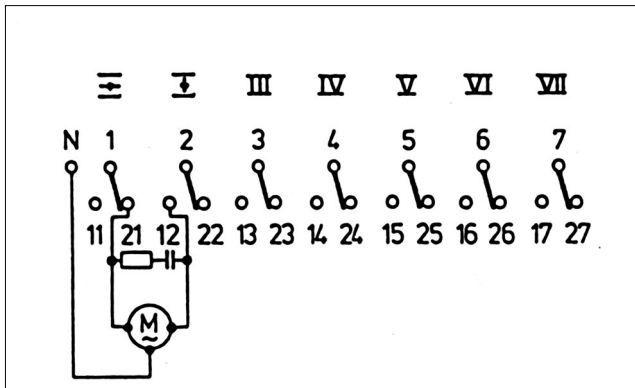
S9



S10



S11



S12

VARIOUS

STANDARDS AND APPROVALS

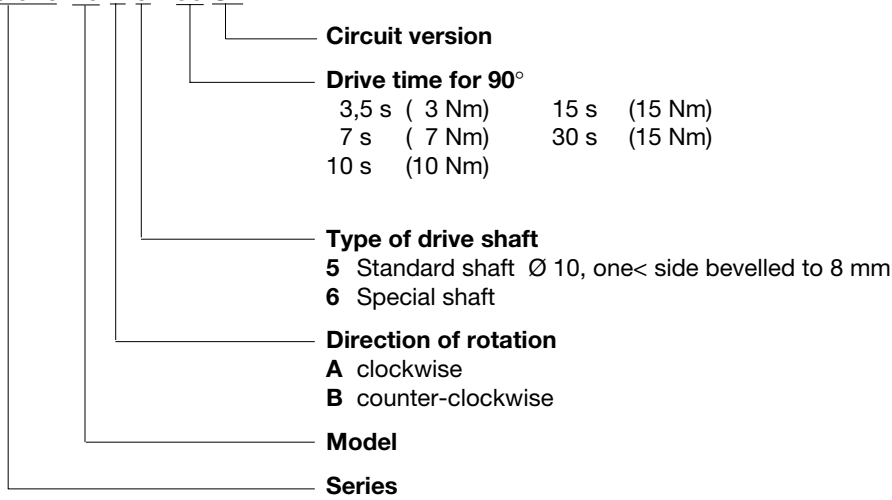
Conformity

- In accordance with EU Directives 73/23/EU and 93/68/EU. Conforms to EN 60730 – 1 : 1991 A1 and A11 : 1991 EN 60730 – 2 – 5 : 1991

ORDERING INFORMATION

Not for creation of new type

LKS 310-15 B 5 - 30 S1



ACCESSORIES

Potentiometer-retrofit sets only on request

Honeywell

Honeywell Burner & Boiler Control Europe

Satronic AG

Honeywell-Platz 1

CH-8157 Dielsdorf

Switzerland

Phone +41 1 855 22 11

Fax +41 1 855 22 22

