

ACTUATOR

**LKS 160**FOR AIR DAMPERS ON MULTI-STAGE AND  
MODULATING BURNERS

PRODUCT HANDBOOK

**APPLICATION**

The LKS 160 air damper actuator is designed to be fitted to multi-stage or modulating oil and gas burners with fully closed position.

**CONTENTS****GENERAL**

Description .....	2
Features .....	2

**TECHNICAL DATA**

Specification .....	3
Dimensional drawings .....	5

**INSTALLATION AND OPERATION**

Installation and final checkout .....	6
Circuit diagrams .....	7

**VARIOUS**

Standards and approvals .....	9
Ordering information .....	9
Accessories .....	9

## GENERAL

### DESCRIPTION

A synchronous motor powers a drive shaft and a backlash-free cam shaft via a gear reducer.

The cam shaft operates limit and auxiliary switches. The position at which one of the limit or auxiliary switches operates

can be adjusted steplessly within the operating range using the associated cam disc. Manually adjustable lever-operated cams or spindle-driven cams, which can be adjusted with a screwdriver, are available.

### FEATURES

Electric actuator up to 3.0 Nm

- Drive times: 3 ... 65 sec.
- Variants: - clockwise or counter clockwise rotation  
- with integrated electronic circuitry  
- shaft version
- Position indicator
- Easily adjustable limit and auxiliary switches
- Synchronous motor

## TECHNICAL DATA

### SPECIFICATION

#### Type overview

clockwise rotation <sup>1)</sup>

Diagram <sup>2)</sup>	Shaft <sup>3)</sup>	Drive time <sup>4)</sup>	Load torque <sup>5)</sup>	Holding torque	Voltage <sup>6)</sup>	Type	Remarks <sup>7)</sup>
Nr.	Nr.	s	Nm	Nm	V		
S1	5	5	2,5	0,8	230	<b>LKS 160-01</b> A 5-5 S1	standard version
S2	5	5	2,5	0,8	230	<b>LKS 160-03</b> A 5-5 S2	standard version
S1	5	12	3	1,5	230	<b>LKS 160-07</b> A 5-12 S1	
S1	5	5	2,5	0,8	230	<b>LKS 160-09</b> A 5-5 S1	Spindle-driven cam
S7	5	30	3	3	24	<b>LKS 160-22</b> A 5-30 S7	
S7.1	5	30	3	3	110	<b>LKS 160-24</b> A 5-30 S7.1	
S6	5	34	3	3	230	<b>LKS 160-25</b> A 5-34 S6	
S1.2	5	34	3	3	230	<b>LKS 160-26</b> A 5-34 S1.2	
S1	5	12	3	1,5	230	<b>LKS 160-37</b> A 5-12 S1	
S4	5	5	2,5	0,8	230	<b>LKS 160-39</b> A 5-5 S4	
S2	5	3	1,5	0,6	230	<b>LKS 160-40</b> A 5-3 S2	
S13	5	45	3	3	230	<b>LKS 160-42</b> A 6-45 S13	Spindle-driven cam
S8.P1.1	5	34	3	3	230	<b>LKS 160-44</b> A 5-34 S8.P1.1	Potentiometer can be retrofitted
S8.P2	5	30	3	3	110	<b>LKS 160-55</b> A 5-30 S8.P2	Potentiometer can be retrofitted
S8.P4	5	45	3	3	230	<b>LKS 160-59</b> A 5-45 S8.P4	with Potentiometer, special circuit
S8.P	6	34	3	3	230	<b>LKS 160-63</b> A 6-34 S8.P	Potentiometer can be retrofitted
S8.P4.1	5	38	3	3	120	<b>LKS 160-65</b> A 5-38 S8.P4.1	Run time at 60 Hz, with Potentiometer, special circuit
S8.P3	5	30	3	3	24	<b>LKS 160-67</b> A 5-30 S8.P3	Potentiometer can be retrofitted
S8.P1.1	5	34	3	3	230	<b>LKS 160-68</b> A 5-34 S8.P1.1	Potentiometer can be retrofitted, spindle-driven cam
S8.P1	5	5	2,5	0,8	230	<b>LKS 160-70</b> A 5-5 S8.P1	
S4	5	3	1,5	0,6	230	<b>LKS 160-73</b> A 5-3 S4	
S15	5	5	2,5	0,8	230	<b>LKS 160-75</b> A 5-5 S15	For 3-stage operation
S2	5	12	3	1,5	230	<b>LKS 160-79</b> A 5-12 S2	

#### Legend

- 1) when viewing from direction A (see dimensional drawing)
- 2) see "Circuit diagrams"
- 3) see "Dimensional drawing"
- 4) at 50 Hz for 90°  
at 60 Hz, Drive times are about 20 % shorter
- 5) under nominal conditions  
under extreme conditions (e.g. +60 °C, 230V -15%) the torques will be 25% lower
- 6) +10% -15%; 50...60Hz  
at -15%; torque reduced by approx. 20% at undervoltage
- 7) Standard: Lever-operated cam

counter-clockwise rotation<sup>1)</sup>

Diagram 2)	Shaft 3)	Drive time 4)	Load torque 5)	Holding torque	Voltage 6)	Type	Remarks 7)
Nr.	Nr.	s	Nm	Nm	V		
S1	5	5	2,5	0,8	230	LKS 160-02 B 5-5 S1	standard version
S2	5	5	2,5	0,8	230	LKS 160-04 B 5-5 S2	standard version
S1	5	3	1,5	0,6	230	LKS 160-08 B 5-3 S2	
S1	5	5	2,5	0,8	230	LKS 160-10 B 5-5 S1	
S2	5	3	1,5	0,6	230	LKS 160-12 B 5-3 S2	
S6	5	34	3	3	230	LKS 160-18 B 5-5 S2	
S2.1	5	5	2,5	0,8	230	LKS 160-19 B 5-5 S2.1	Shaft with adapter
S3.2	5	5	2,5	0,8	110	LKS 160-28 B 5-5 S3.2	
S4	5	5	2,5	0,8	230	LKS 160-36 B 5-5 S4	
S13	6	34	3	3	230	LKS 160-43 B 6-34 S13	Spindle-driven cam
S2	5	12	3	1,5	230	LKS 160-50 B 5-12 S2	
S4	5	5	2,5	0,8	230	LKS 160-51 B 5-5 S4	
S2	5	8	3	1,5	230	LKS 160-52 B 5-8 S2	Other cam colours
S8.P1	5	12	3	1,5	230	LKS 160-57 B 5-12 S8.P1	Potentiometer can be retrofitted
S4	5	12	3	1,5	230	LKS 160-60 B 5-12 S4	
S6	5	5	2,5	0,8	230	LKS 160-61 B 5-5 S6	
S8.P1.1	5	34	3	3	230	LKS 160-69 B 5-34 S8.P1.1	
S6.1	5	5	2,5	0,8	110	LKS 160-71 B 5-5 S6.1	
S4.9	5	5	2,5	0,8	230	LKS 160-74 B 5-5 S4.9	Relays control 24 VDC
S6.2	5	65	3	3	230	LKS 160-76 B 5-65 S6.2	
S8.P1	5	5	2,5	0,8	230	LKS 160-77 B 5-5 S8.P1	Potentiometer can be retrofitted
S12	5	30	3	3	230	LKS 160-78 B 5-30 S10	Face down

## Legend

- 1) when viewing from direction A (see dimensional drawing)  
 2) see "Circuit diagrams"  
 3) see "Dimensional drawing"  
 4) at 50 Hz for 90°  
 at 60 Hz, Drive times are about 20 % shorter
- 5) under nominal conditions  
 under extreme conditions (e.g. +60 °C, 230V -15%) the torques will be 25% lower  
 +10% -15%; 50...60Hz  
 at -15%; torque reduced by approx. 20% at undervoltage  
 7) Standard: Lever-operated cam

## Technical Data

## Housing

- impact-proof, heat-resistant synthetic material  
Colour: black

## Drive motor

- reversible synchronous motor

## Switch point setting

- stepless cam setting, lever-operated or spindle-driven cams; if spindle-driven, with superimposed scale

## Position indicator

- scale

## Connection system

- terminal blocks

## Gearing

- spur gearing, maintenance-free

## Drive shaft

- steel

## Fitting and fastening

- Fastened from inside via tapped M 5 through-holes

## PCBs

- for all electrical functions, increased conductor thickness

## Mains voltage

- 230 V -15% +10% or  
110 V -15% +10%

## Mains frequency

- 50 Hz or 60 Hz

## Safety class

- II VDE 0631

## Power consumption

- approx. 4 VA

## Duty cycle

- depending on motor, 50 to 70 % in 2 minutes

## Interference suppression

- N (according to VDE 0785)

## Actuating angle

- max. 90°

## Mounting position

- any

**Protection**

- IP 44, assuming appropriate cable entries and screw fastening (DIN 40050)

**Cable entries**

- 2 x PG9

**Cable connection**

- terminal block for 0.5 mm<sup>2</sup> (min.) and 2.5 mm<sup>2</sup> (max.) wire cross-section

**Direction of rotation**

- see "Type overview"

**Torque and holding torque**

- see "Type overview"

**Drive times**

- 3 to 65 sec for 90°

**Limit and auxiliary switches**

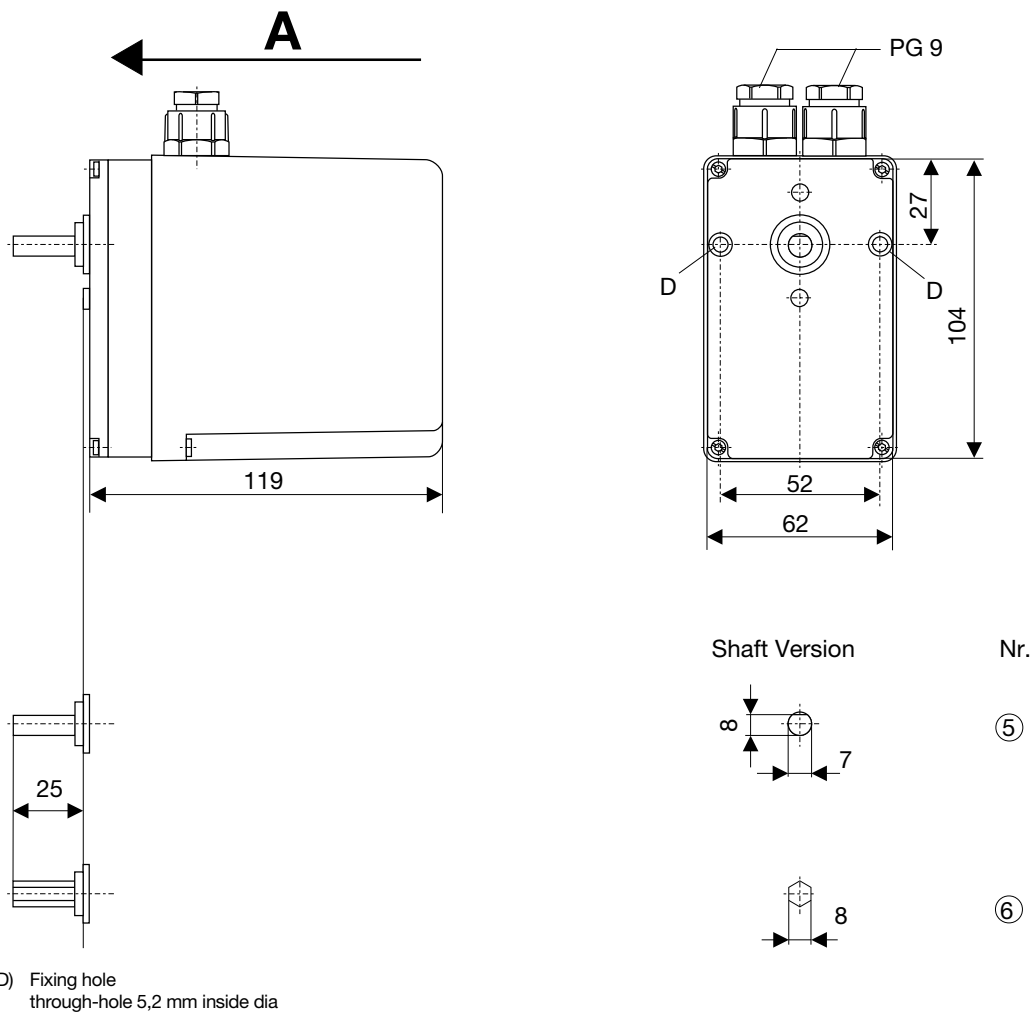
- max. 7 operation with adjustable cam discs, cams coloured in normal way:
  - blue fully closed position
  - orange low load
  - red high load
  - black spare switches for additional functions
- switching voltage AC 24...230 V
- switching capacity with inductive loads 250 VA

**Ambient temperature**

- operation 0 ... +60° C
- transport and storage -20 ... +60° C

**Condensation, icing and exposure to water not permitted****Weight**

- approx. 610g

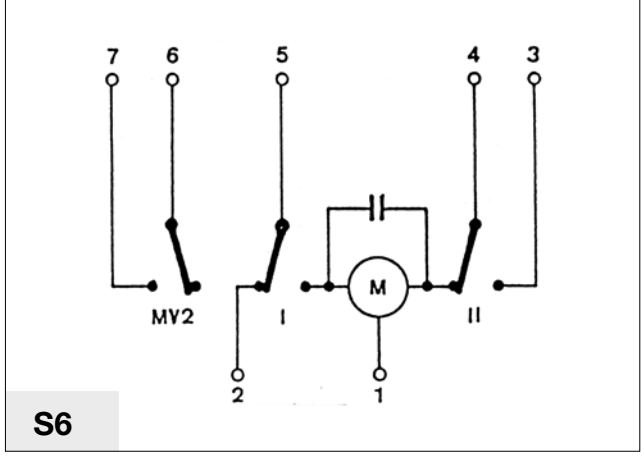
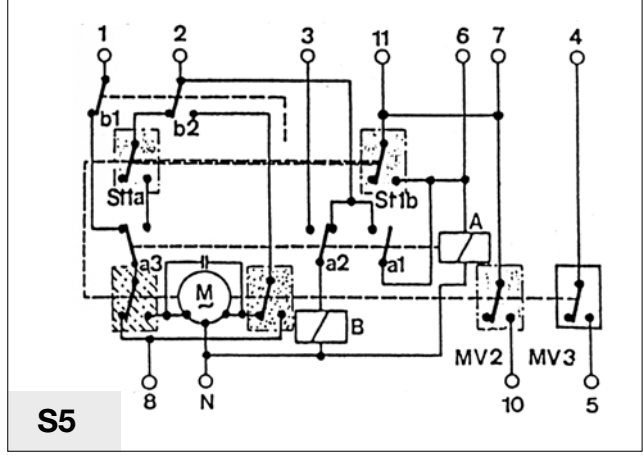
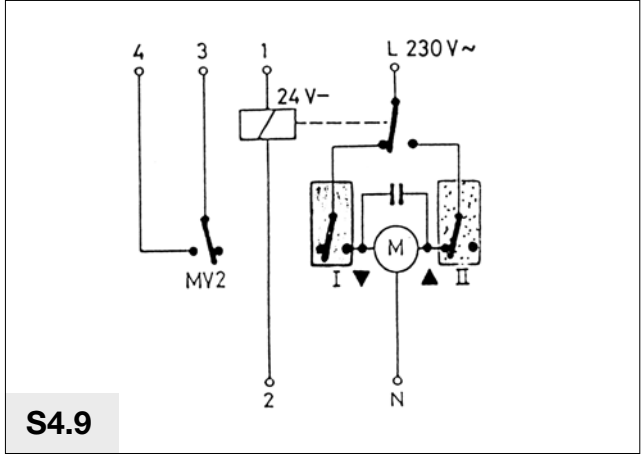
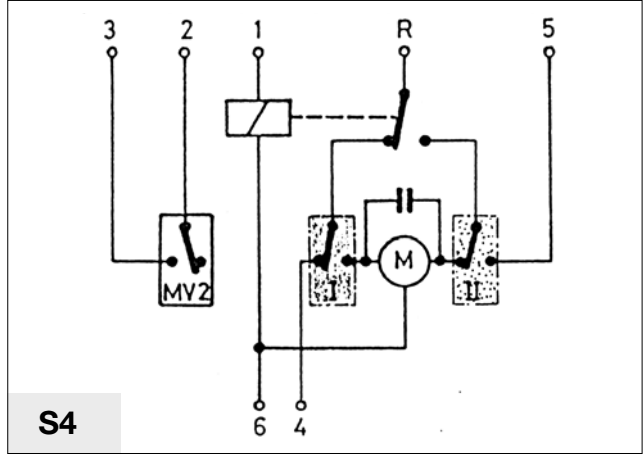
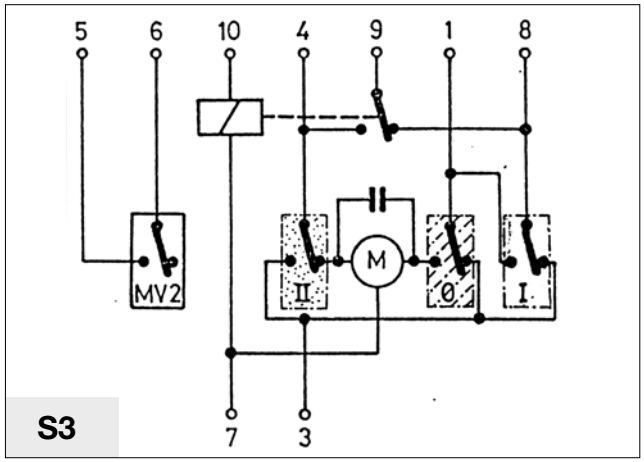
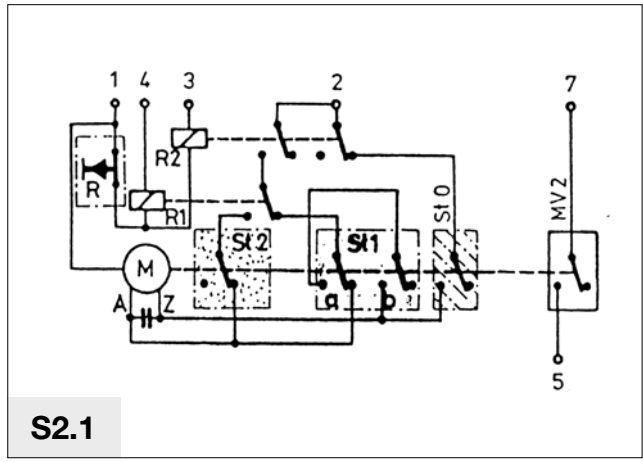
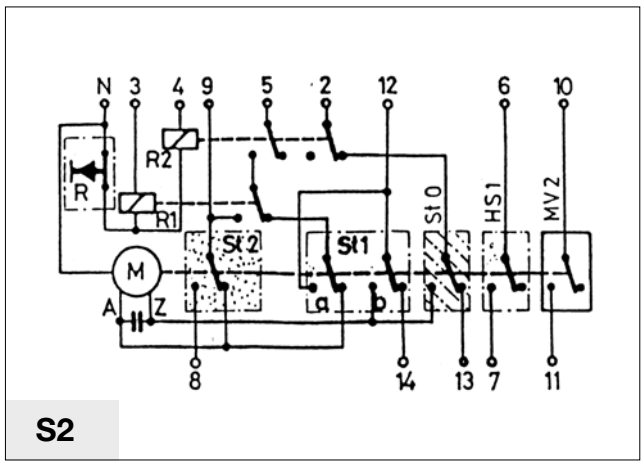
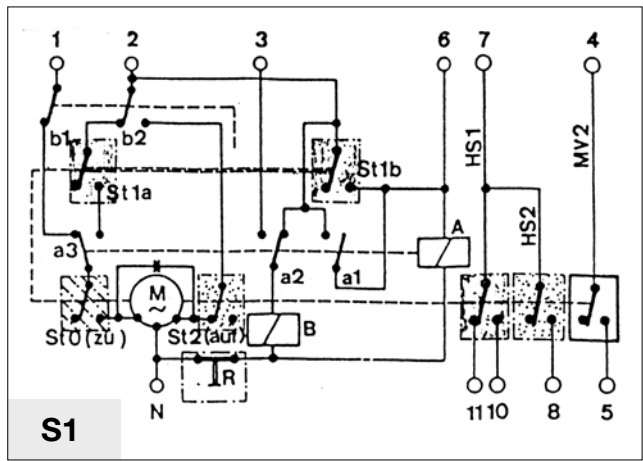
**DIMENSIONAL DRAWING**

## INSTALLATION AND OPERATION

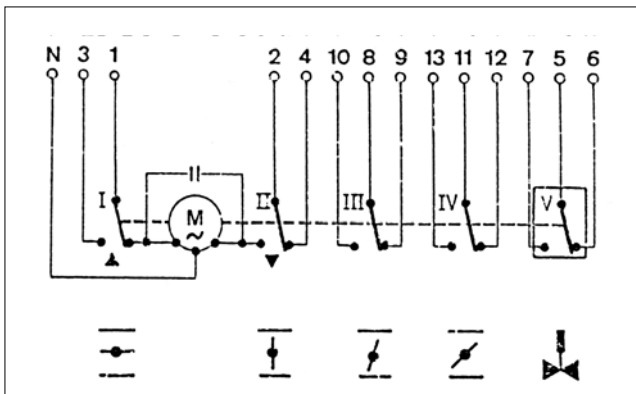
### INSTALLATION AND FINAL CHECKOUT

- The regulations and standards applicable in each particular case must be observed.
- Installation and commissioning must only be carried out by qualified technicians.
- Electrical wiring must comply with national and local regulations.
- Always lay the burner ignition cable separately and as remotely as possible from the device and other cables.
- Carefully check all cabling and wiring prior to commissioning.
- Disconnect the actuators completely from the power supply when working close to terminals and connections.
- Screw the housing cover securely in place to provide shock-hazard protection on the actuator and all electrical connections.
- Electromagnetic emissions must be checked on a case by case basis.

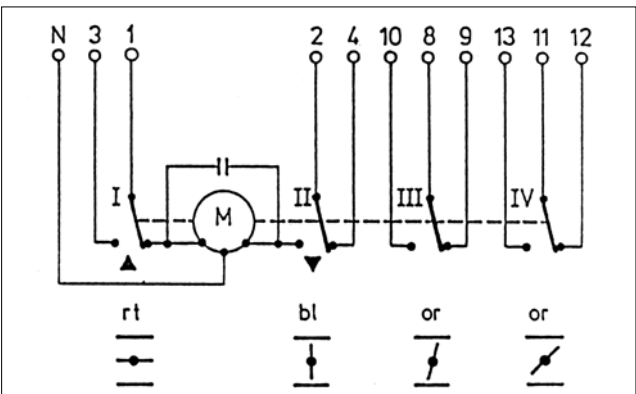
CIRCUIT DIAGRAMS



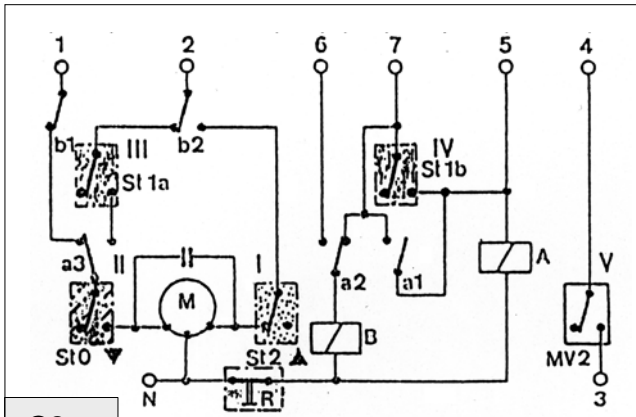
CIRCUIT DIAGRAMS



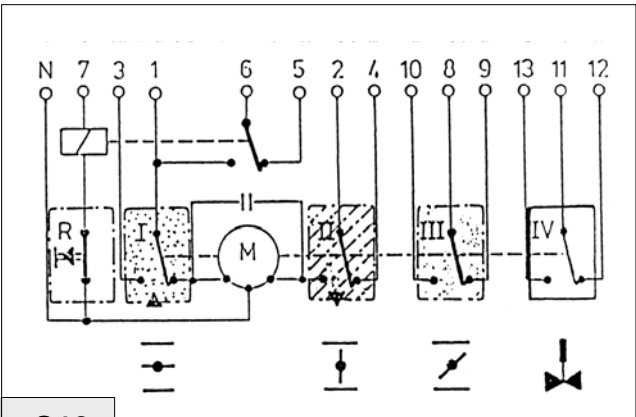
S8.P



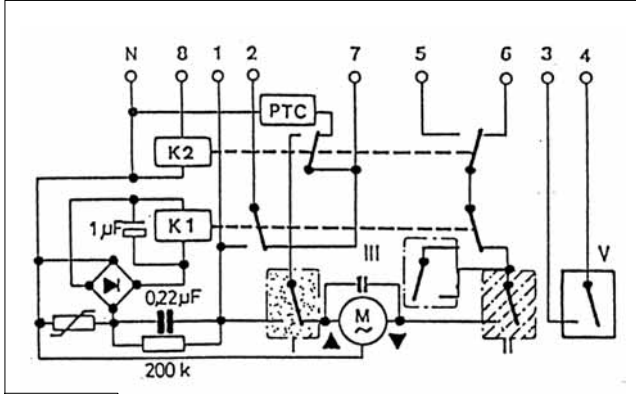
S8.P1



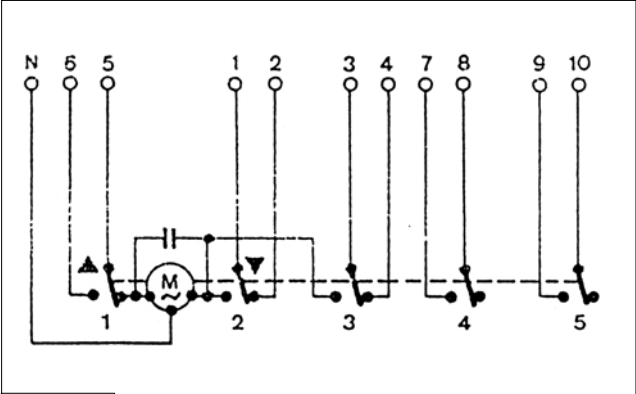
S9



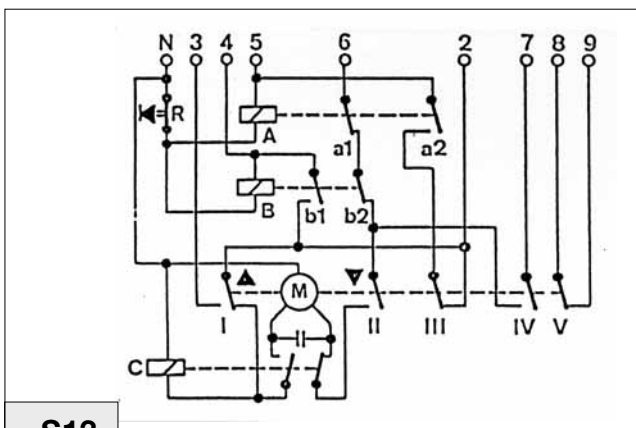
S10



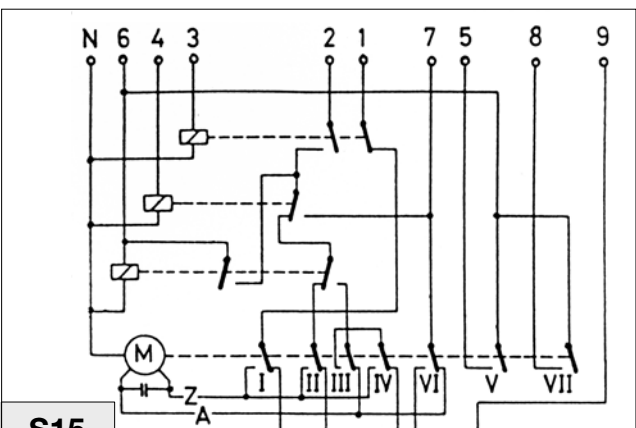
S11



S12



S13



S15



## VARIOUS

### STANDARDS AND APPROVALS

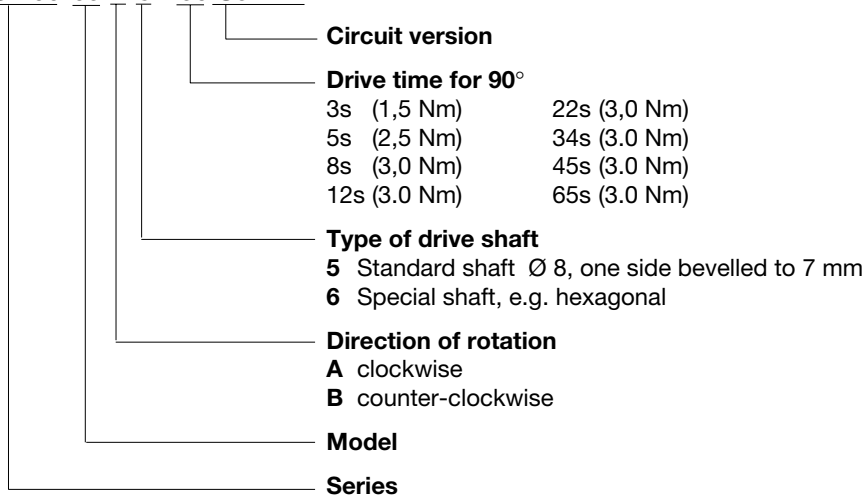
#### Conformity

- In accordance with EU Directives 73/23/EU and 93/68/EU. Conforms to EN 60730 – 1 : 1991 A1 and A11 : 1991 EN 60730 – 2 – 5 : 1991

### ORDERING INFORMATION

Not for creation of new type

#### LKS 160-09 B 5 - 30 S3.P1.1



### ACCESSORIES

Potentiometer - retrofit set for actuators without relays  
(90° = ca 1kΩ) **ZPN 160-01**

Potentiometer - retrofit set for actuators with relays  
(90° = ca 1kΩ) **ZPN 160-06**

Other versions on request

**Honeywell**

---

**Honeywell Burner & Boiler Control Europe**

Satronic AG

Honeywell-Platz 1

CH-8157 Dielsdorf

Switzerland

Phone +41 1 855 22 11

Fax +41 1 855 22 22